



## HUSH-PLY 28 Floating Flooring

Offering an alternative to the standard chipboard finish, Hush-Ply 28 is especially suitable for areas requiring extra moisture protection, such as kitchens and bathrooms and offers an excellent surface for application of the final flooring finish, whether using ceramic tiles or wooden flooring.

### Features

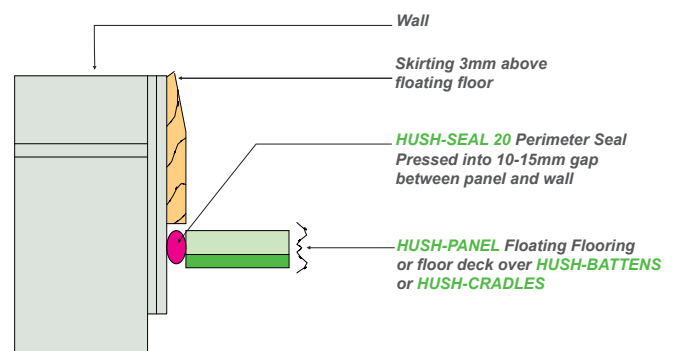
- ✓ Strong, durable and waterproof
- ✓ Ideal for flooring finishes which require screw fixings
- ✓ Refurbishment and New Build
- ✓ Building Regulations Part E (England and Wales), Section 5 (Scotland) and Part G (Northern Ireland)
- ✓ Robust details FFT5 compliant for floor structures EFC-1, EFC-2 and EFS-1
- ✓ Easy to install in a single time saving operation

### Product Data

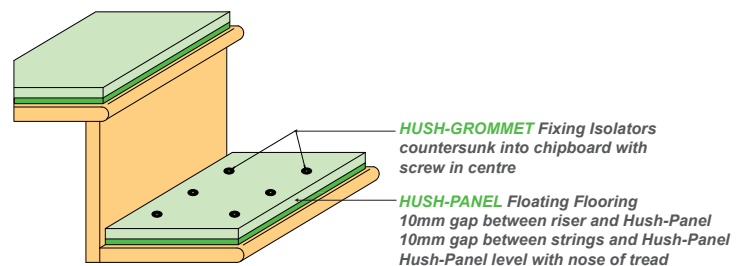
<b>Application</b>	Can be laid over concrete, existing timber floors or directly over joists up to 450mm centres*
<b>Comprises</b>	18mm WBP tongued and grooved plywood with 10mm Hushfelt™ resilient layer
<b>Overall Board Dimensions</b>	2400mm x 600mm x 28mm
<b>Overall nominal thickness</b>	28mm
<b>FFL over floor deck</b>	26mm
<b>FFL over timber joists</b>	*36mm (used in conjunction with Hush-10 Joist Strips)



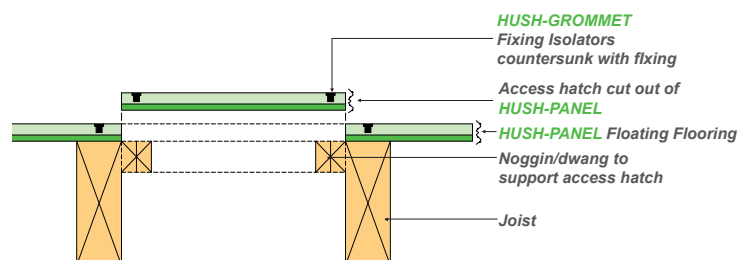
## HUSH-PANEL Useful Details



HUSH-SEAL PERIMETER SEAL EDGE DETAIL



HUSH-PANEL ON STAIRS DETAIL



HUSH-PANEL ACCESS TRAPS & DUCTS DETAIL

© HUSH (UK) LIMITED 2007